

IDOC-PAD-LCA2-DSC

iPanel® Table Dock for iPad Air® 2

- > Provides a stylish table dock for the iPad Air® 2^[1]
- > Transforms the iPad Air 2 into a stationary touch screen
- > Affords seamless control system integration using the Crestron® App^[2]
- > Ideal for use with Crestron Pyng®^[2]
- > Charges the iPad Air 2 while docked
- > Retains use of the device's microphone, speaker, camera, and buttons
- > Allows for easy docking and undocking
- > Available in smooth white or black finishes

The Crestron® iPanel® Table Dock for iPad Air® 2 (IDOC-PAD-LCA2-DSC) provides a very stylish solution for charging your iPad Air 2^[1] while simultaneously using it to control your home, business, boardroom, or classroom. The iPad Air 2 slides easily into the iPanel, instantly transforming it into a stationary tabletop touch screen. The iPad Air 2 can be removed just as easily from the iPanel to resume portable use at any time.

As part of a complete Crestron control solution, an iPad Air 2 offers a very powerful and practical touch screen controller for home theater, whole-house automation, and commercial AV and room control applications. Crestron Control® is enabled on the iPad Air 2 by downloading and installing the [Crestron App](#)^[2], providing professional Crestron touch screen functionality through a very stylish and highly-customizable graphical interface. Adding the iPanel affords the advantage of tabletop touch screen operation and battery charging.

iPanel docks are also ideal for use with [Crestron Pyng](#)[®].

SPECIFICATIONS

Power Requirements

Power Pack: 2.4 Amps (12 Watts) @ 100-240 Volts AC, 50/60 Hz; Includes Apple® 12W USB Power Adapter and 3.28 ft (1 m) Lightning® to USB cable; does not include Apple World Travel Adapter Kit

Environmental

Temperature: 32° to 95° F (0° to 35° C)
Humidity: 10% to 90% RH (non-condensing)

Construction

Smooth black or white plastic with aluminum base

Dimensions

Height: 6.92 in (176 mm)
Width: 10.14 in (258 mm);
10.61 in (270 mm) with iPad Air 2 docked
Depth: 5.73 in (146 mm)



Weight

21.0 oz (596 g)

MODELS & ACCESSORIES

Available Models

IDOC-PAD-LCA2-DSC-B: iPanel® Table Dock for iPad Air® 2, Black
IDOC-PAD-LCA2-DSC-W: iPanel® Table Dock for iPad Air® 2, White

Available Accessories

CRESTRON-APP-PAD: Crestron® App for iPad®
CRESTRON-PYNG: Crestron Pyng® Setup & Home Control App
CEN-NVS200: Network Video Streamer
DM-TXRX-100-STR: HD Streaming Transmitter/Receiver

Notes:

1. For iPad Air 2 only. For 1st generation iPad Air, use model [IDOC-PAD-LCA-DSC](#). iPad device not included.
2. Item(s) sold separately.

This product may be purchased from an authorized Crestron dealer. To find a dealer, please contact the Crestron sales representative for your area. A list of sales representatives is available online at www.crestron.com/salesreps or by calling 800-237-2041.

The specific patents that cover Crestron products are listed online at: patents.crestron.com.

Certain Crestron products contain open source software. For specific information, please visit www.crestron.com/opensource.

IDOC-PAD-LCA2-DSC iPanel® Table Dock for iPad Air® 2

Crestron, the Crestron logo, Crestron Control, Crestron Pyng, and iPanel are either trademarks or registered trademarks of Crestron Electronics, Inc. in the United States and/or other countries. Apple, iPad, iPad Air, and Lightning are either trademarks or registered trademarks of Apple Inc. in the United States and/or other countries. Other trademarks, registered trademarks, and trade names may be used in this document to refer to either the entities claiming the marks and names or their products. Crestron disclaims any proprietary interest in the marks and names of others. Crestron is not responsible for errors in typography or photography. Specifications are subject to change without notice. ©2015 Crestron Electronics, Inc.



IDOC-PAD-LCA2-DSC-B
Front View with iPad Air Docked

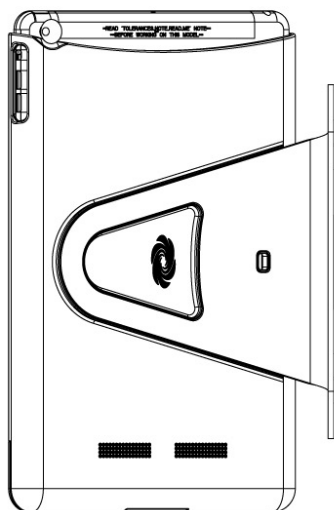
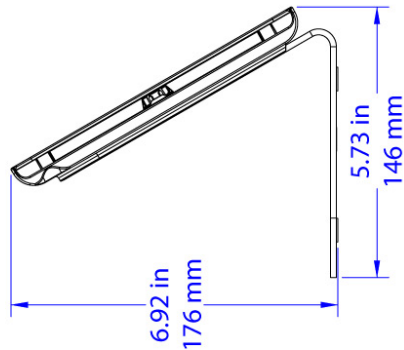
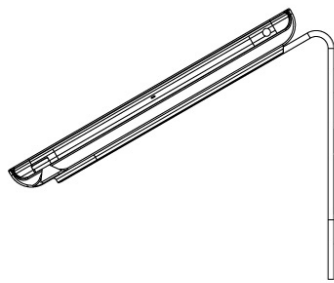
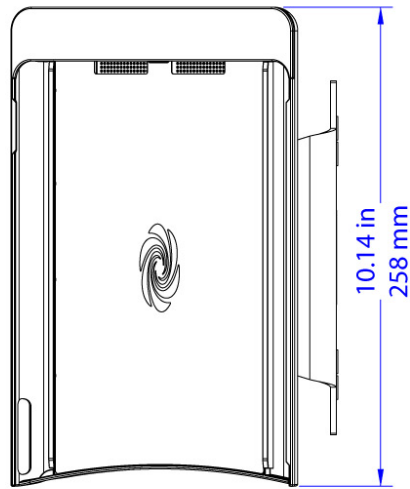
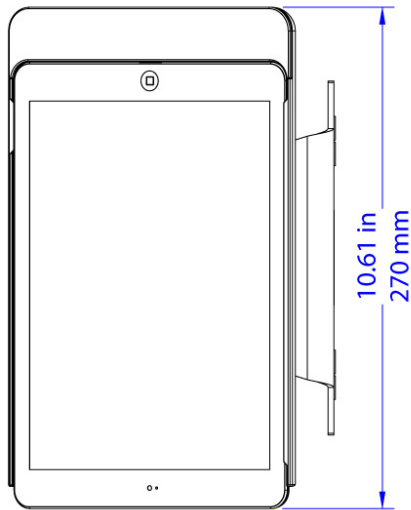
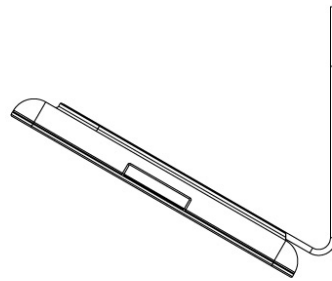
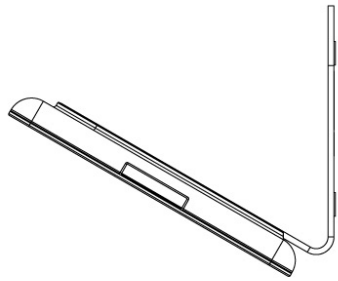


IDOC-PAD-LCA2-DSC-B
Front View without iPad Air



IDOC-PAD-LCA2-DSC-B
Rear View

IDOC-PAD-LCA2-DSC iPad® Table Dock for iPad Air® 2



iPad Air 2 device not included

